



LEFROY BROOKS

1 8 2 8 T R O U T M A N S T R E E T
R I D G E W O O D N E W Y O R K N Y 1 1 3 8 5 U S A
T : + 1 (7 1 8) 3 0 2 5 2 9 2 F : + 1 (7 1 8) 3 0 2 4 1 7 7

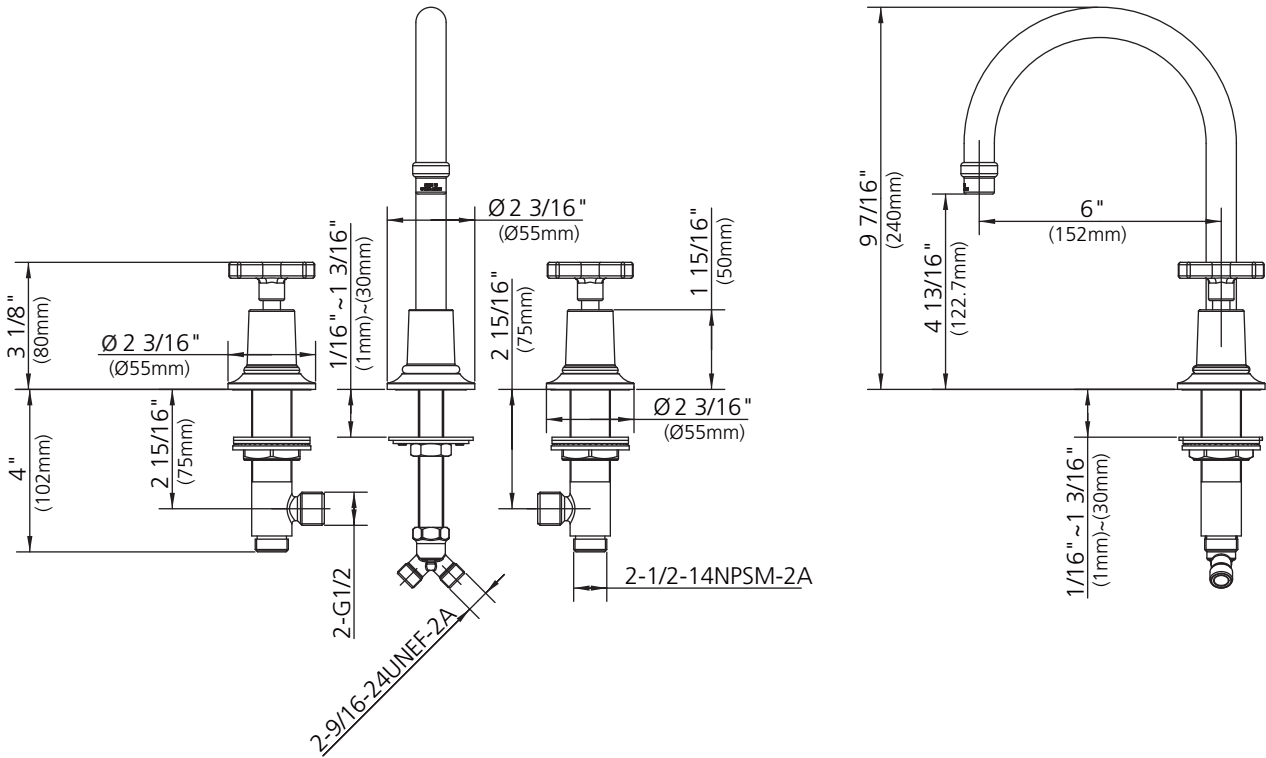
M2-1120

FLEETWOOD CROSS HANDLE 3-HOLE BASIN MIXER

DIMENSIONAL DATA SHEET

DATE: 8 June 2012

No: FW0CC000



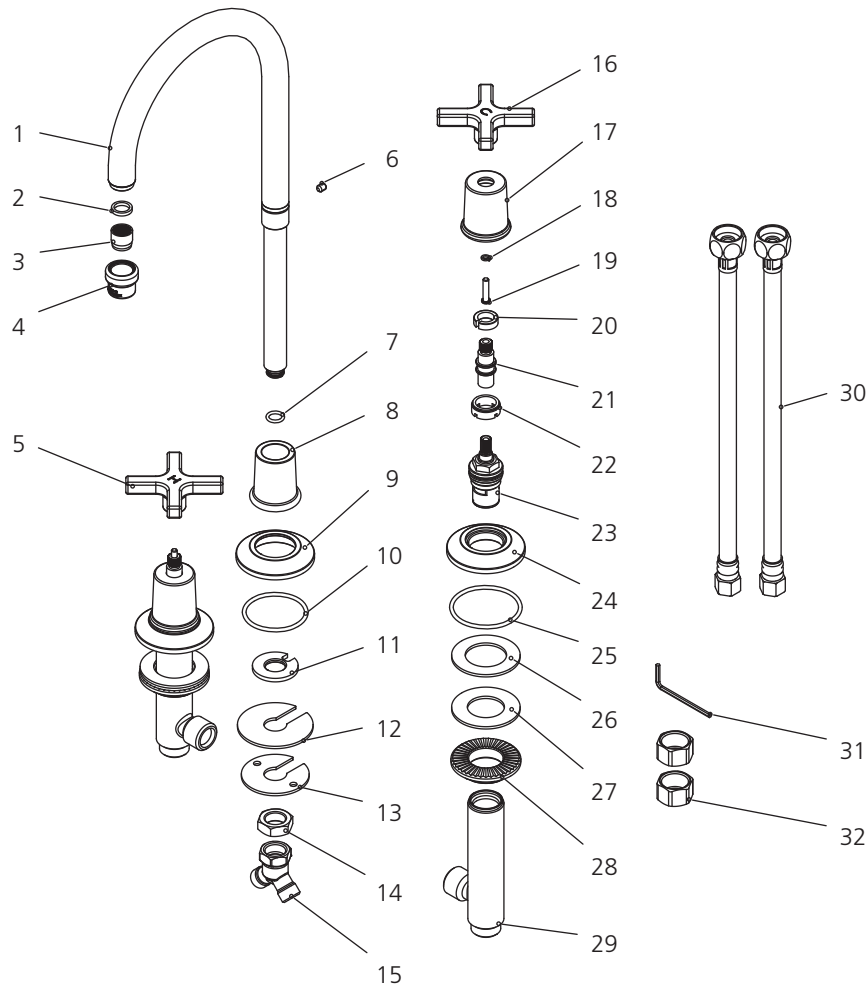
COPYRIGHT © LBP LTD 2012. ALL RIGHTS RESERVED.

DIMENSIONS IN INCHES & MILLIMETRES

WHILST EVERY EFFORT IS MADE TO ENSURE THE ACCURACY OF THESE DATA SHEETS THEY ARE SUBJECT TO CHANGE WITHOUT NOTICE AS PART OF THE COMPANY'S PRODUCT DEVELOPMENT PROCESS

M2-1120

FLEETWOOD CROSS HANDLE 3-HOLE BASIN MIXER

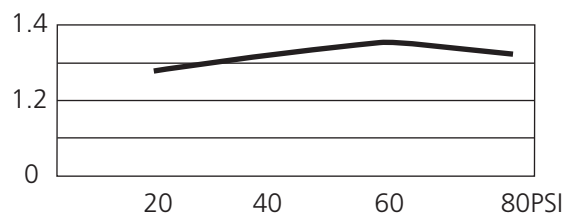


- | | | | | | |
|----|-----------------------------|----|-------------------------|----|---------------------------|
| 1 | Spout assembly (139376W) | 12 | Oil-seal (058094) | 23 | Cartridge (507907N) |
| 2 | Oil-seal (010519N) | 13 | Washer (013006) | 24 | Escutcheon (071473) |
| 3 | Aerator insert (553661N) | 14 | Nut (009015) | 25 | O-ring (004617) |
| 4 | Aerator housing (305856-54) | 15 | Connector (015004W) | 26 | Oil-seal (010017) |
| 5 | Handle (029685H-T) | 16 | Handle (029685C-T) | 27 | Washer (013158) |
| 6 | Set screw (075209) | 17 | Canopy (018295) | 28 | Nut (009834) |
| 7 | O-ring (004026N) | 18 | Washer (013570) | 29 | Body (061893W) |
| 8 | Canopy (000113) | 19 | Screw (008486) | 30 | Flexible hose (105750W) |
| 9 | Escutcheon (071326) | 20 | Clip (012242) | 31 | Allen key (031000) |
| 10 | O-ring (004072N) | 21 | Stem extension (110409) | 32 | Alternative nuts (504003) |
| 11 | Washer (013797) | 22 | Adaptor (057507) | | |

Standards

IAPMO/cUPC Listed
Meets NSF 61-9
Meets A112.18.1

Flow Rate



Please note :

Final achievable flow rate is dependent on the outlets fitted, see relevant outlets (spouts, roses, sprays) for fully assembled product flow rate.